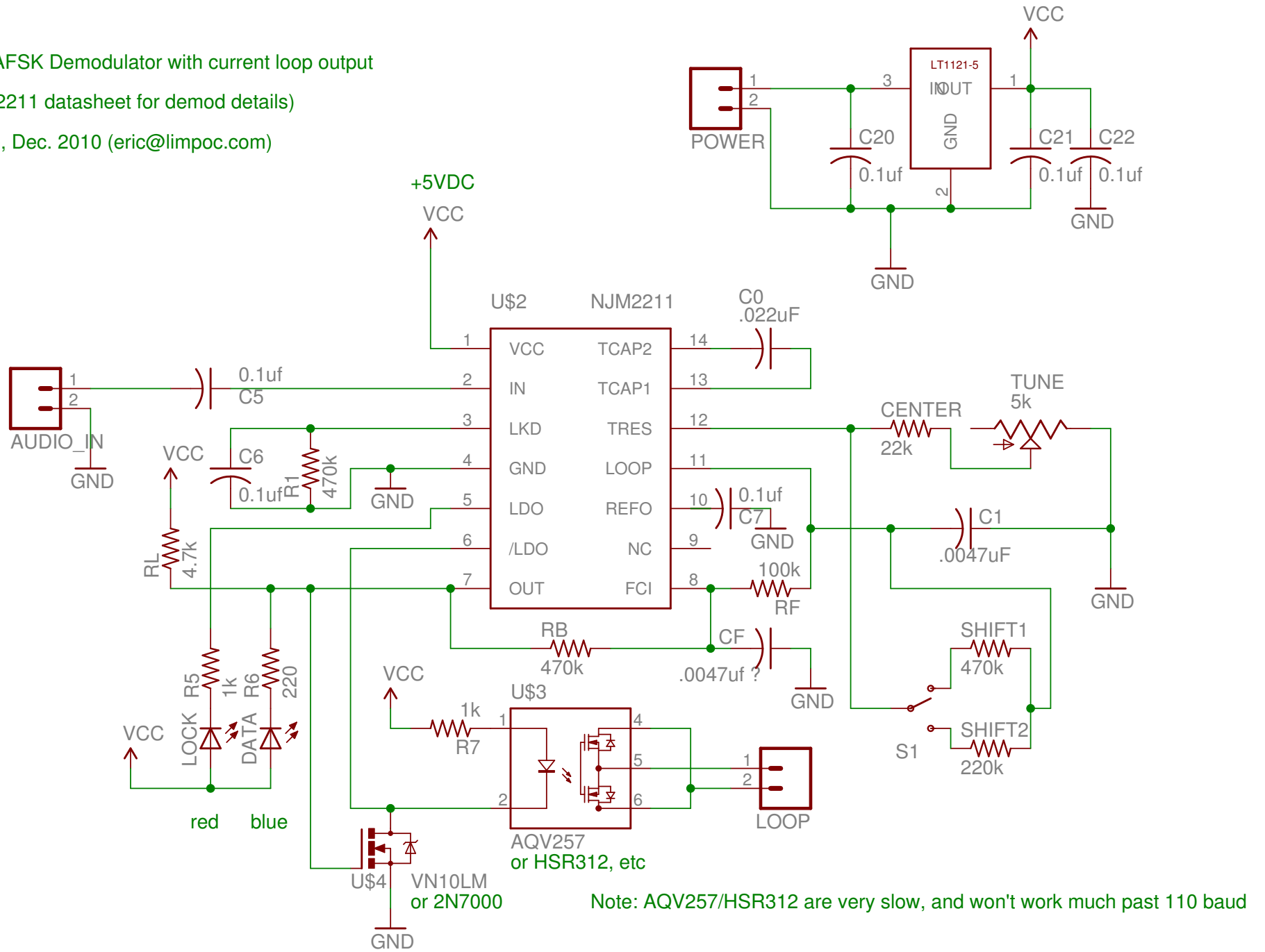


Teletype AFSK Demodulator with current loop output

(see NJM2211 datasheet for demod details)

Eric Volpe, Dec. 2010 (eric@limpoc.com)



Note: AQV257/HSR312 are very slow, and won't work much past 110 baud